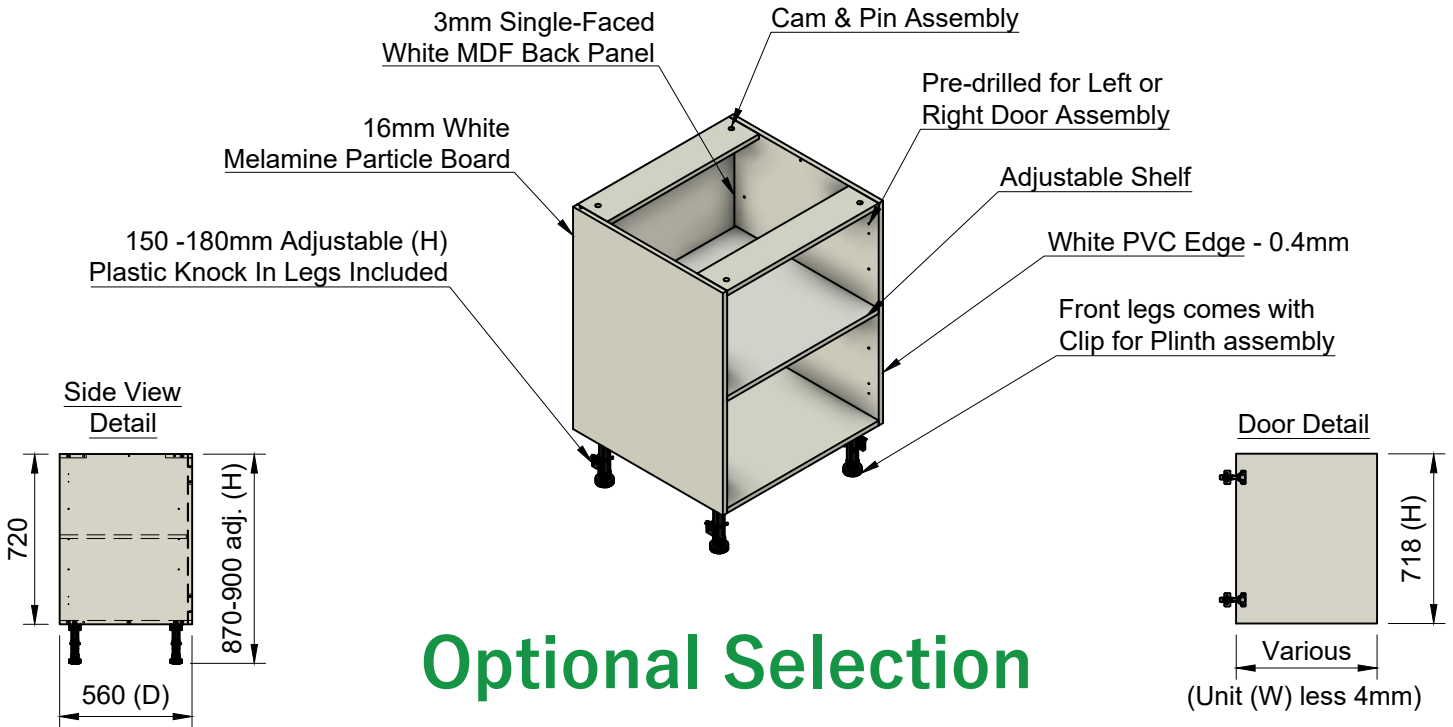


Floor Standard Unit - 720mmx560mm

WIDTHS: 300 | 400 | 450 | 500 | 600 | 800 | 900 | 1000 | 1200mm
HEIGHT: 870 - 900mm Adjustable X **DEPTH:** 560mm



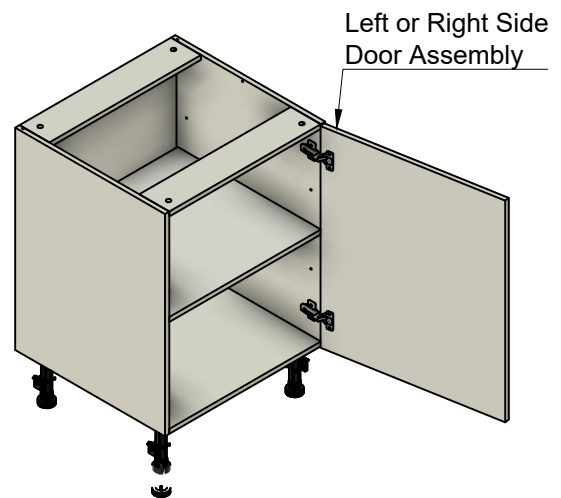
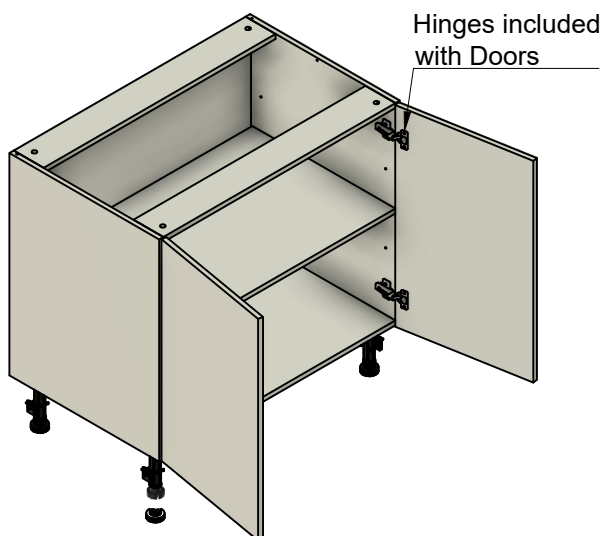
Optional Selection

Double Door

for **Wide** Units:
600 | 800 | 900 | 1000 | 1200mm
Door Widths:
296 | 396 | 446 | 496 | 596mm

Single Door

for **Narrow** Units:
300 | 400 | 450 | 500 | 600mm
Door Widths:
296 | 396 | 446 | 496 | 596mm



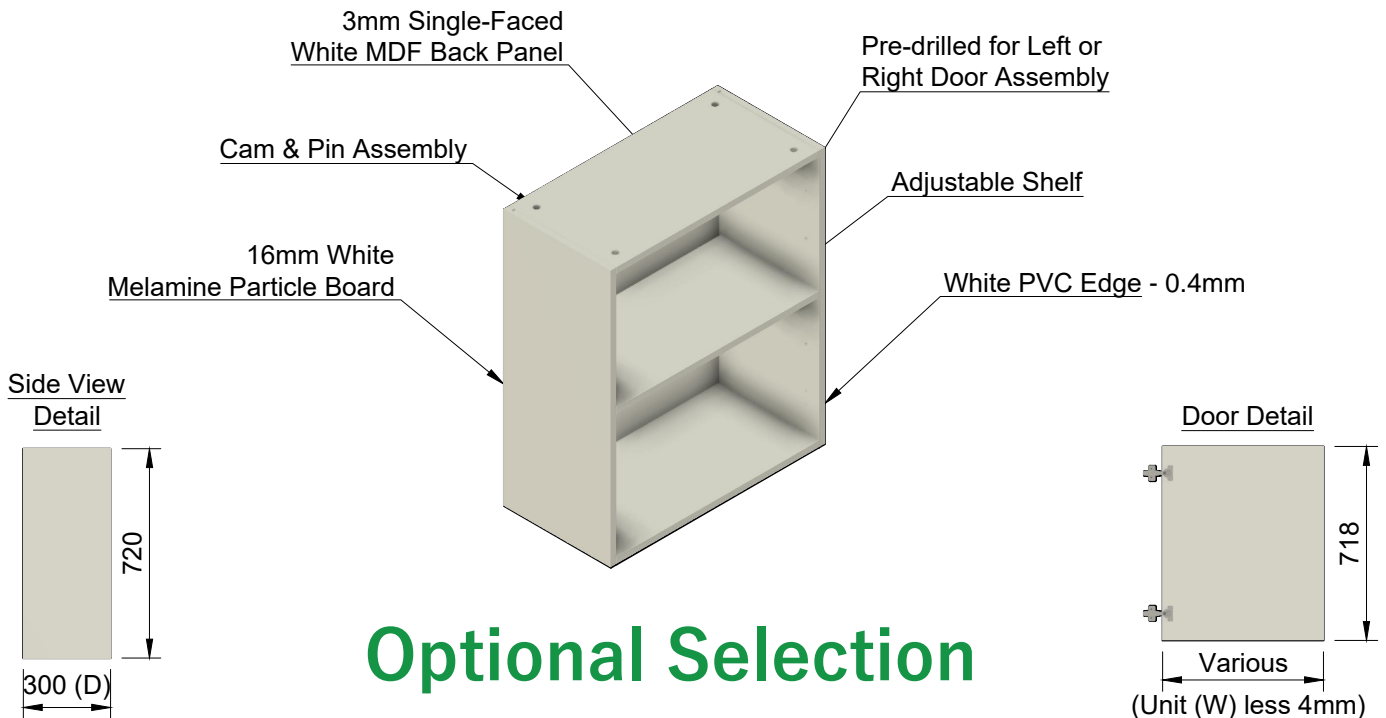
Structure & Doors Available in White (Woodgrain and coloured Doors upon request)
Units are supplied Flat-packed with DIY-Assembly Instructions
Care Instructions: Wipe down with a non abrasive cleaner on a damp cloth

Contact Us

Phone: 012 804 1561 | Email: sales@woodmerx.co.za.co.za
Address: 290 Dykor street, Silverton, PTA | Website: www.woodmerx.co.za
WhatsApp: 084 391 2773

Wall Standard Unit - 720mmx300mm

WIDTHS: 300 | 400 | 450 | 500 | 600 | 800 | 900 | 1000 | 1200mm
HEIGHT: 720mm **X DEPTH:** 300mm



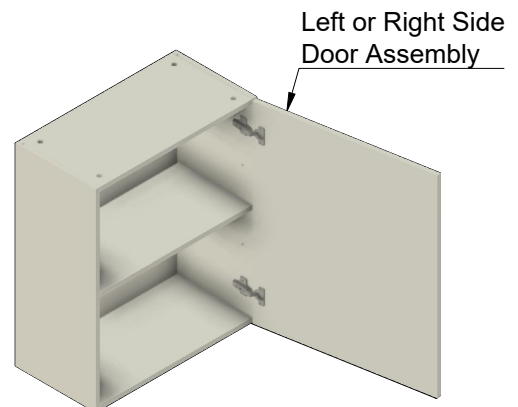
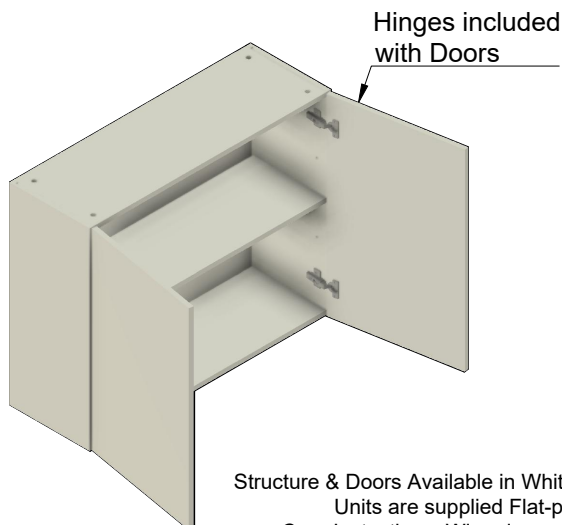
Optional Selection

Double Door

for **Wide** Units:
 600 | 800 | 900 | 1000 | 1200mm
 Door Widths:
 296 | 396 | 446 | 496 | 596mm

Single Door

for **Narrow** Units:
 300 | 400 | 450 | 500 | 600mm
 Door Widths:
 296 | 396 | 446 | 496 | 596mm



Structure & Doors Available in White (Woodgrain and coloured Doors upon request)
 Units are supplied Flat-packed with DIY-Assembly Instructions
 Care Instructions: Wipe down with a non abrasive cleaner on a damp cloth

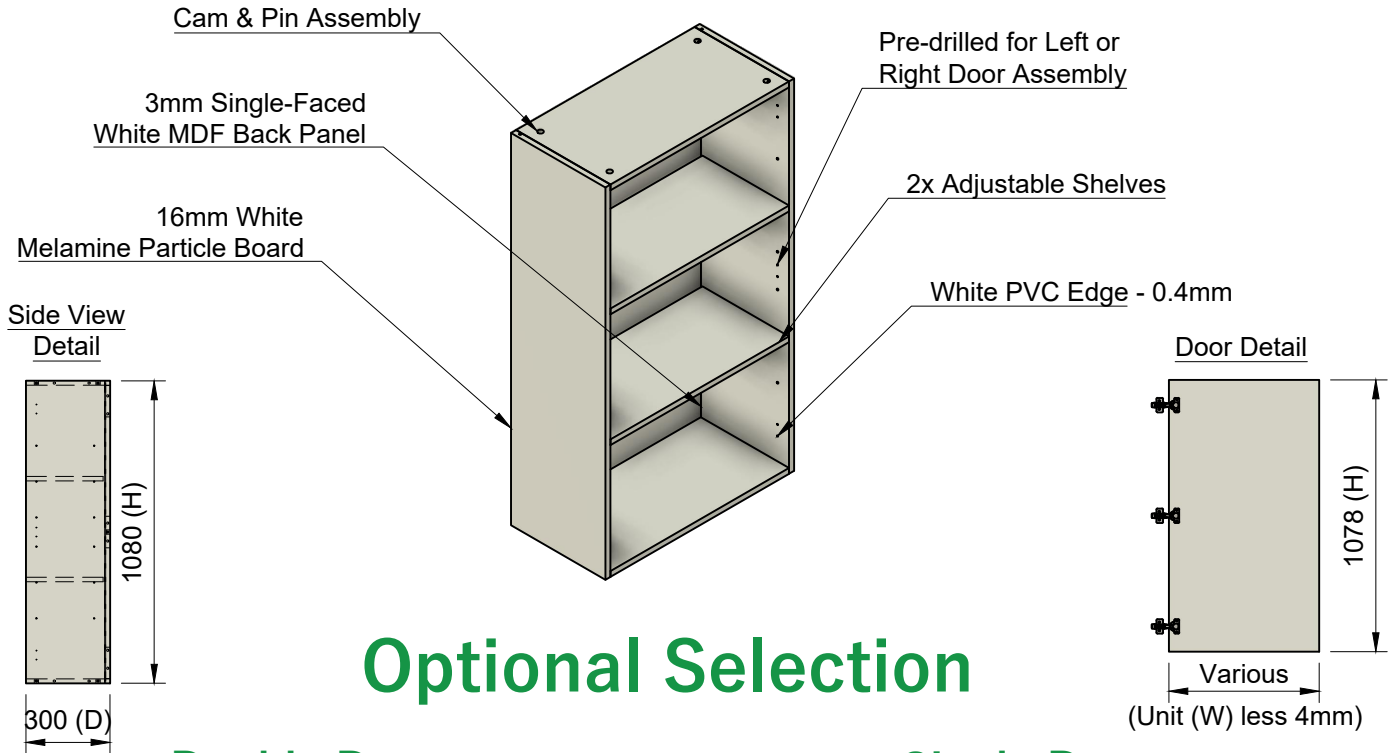
Contact Us

Phone: 012 804 1561 | Email: sales@woodmerx.co.za
 Address: 290 Dykor street, Silverton, PTA | Website: www.woodmerx.co.za

Wall Tall Unit - 1080mmx560mm

WIDTHS: 300 | 400 | 450 | 500 | 600 | 800 | 900 | 1000 | 1200mm

HEIGHT: 1080mm X **DEPTH:** 300mm



Optional Selection

Double Door

for **Wide** Units:

600 | 800 | 900 | 1000 | 1200mm

Door Widths:

296 | 396 | 446 | 496 | 596mm

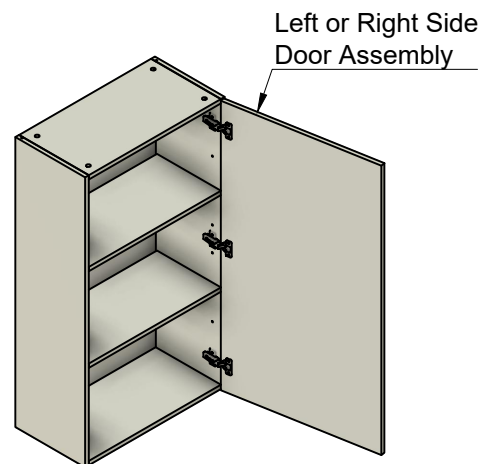
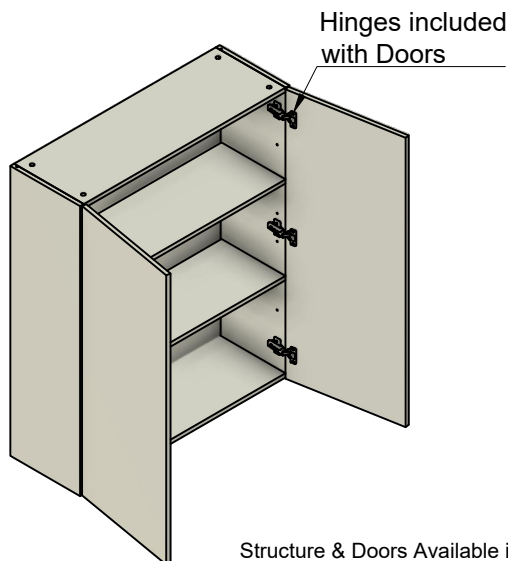
Single Door

for **Narrow** Units:

300 | 400 | 450 | 500 | 600mm

Door Widths:

296 | 396 | 446 | 496 | 596mm



Structure & Doors Available in White (Woodgrain and coloured Doors upon request)

Units are supplied Flat-packed with DIY-Assembly Instructions

Care Instructions: Wipe down with a non abrasive cleaner on a damp cloth

Contact Us

Phone: 012 804 1561 | Email: sales@woodmerx.co.za

Address: 290 Dykor street, Silverton, PTA | Website: www.woodmerx.co.za